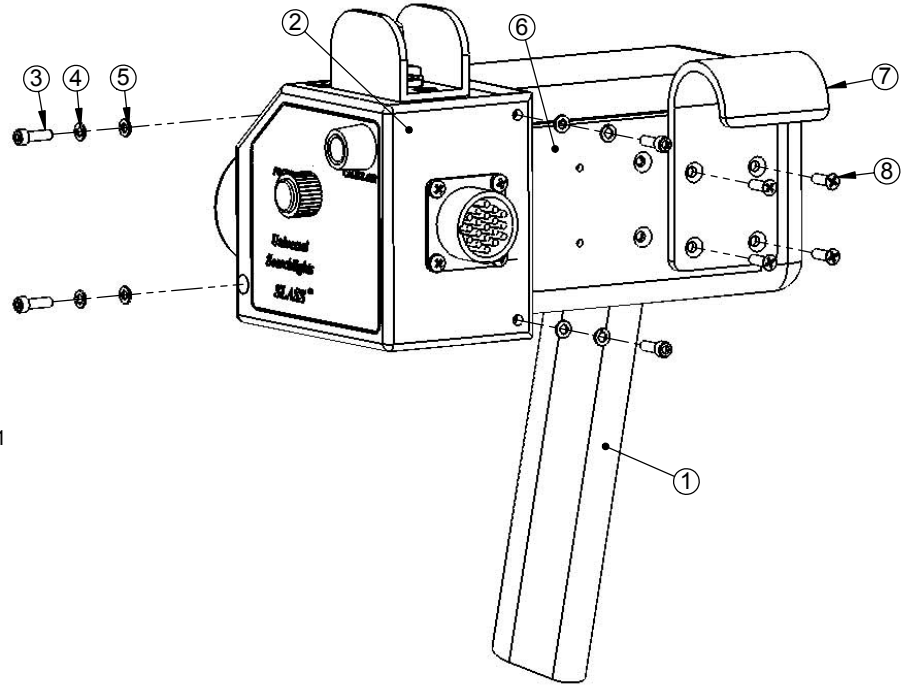
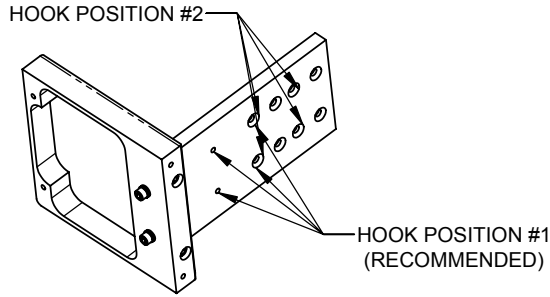
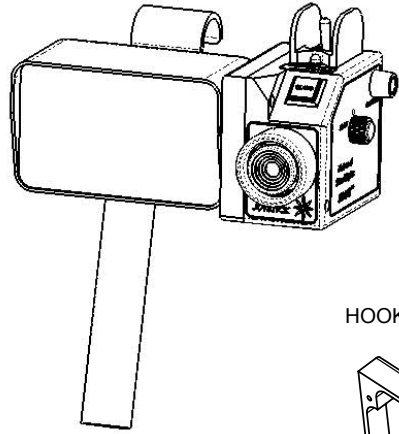


8 7 6 5 4 3 2 1

REVISIONS			
REV	DESCRIPTION	DATE	APPROVED



**ASSEMBLY NOTES**

ITEM #2 (SEE NOTE BELOW) THRU ITEM #6 ARE FACTORY ASSEMBLED AND ADDED TO FLIR CONTROLLER.

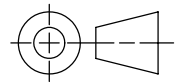
1. REMOVE HOOK (SHOWN AS ITEM #7) FROM FLIR CONTROLLER. TWO OF THE FOUR #4-40 x .25 LG SCREWS WILL BE USED IF HOOK POSITION #1 IS CHOSEN.
2. PLACE ITEM #2 - #6 SUB-ASSEMBLY AND CHOOSE POSITION PLACEMENT FOR ITEM #7 (HOOK) - SEE RECOMMENDED POSITION

**NOTE**

THIS ASSEMBLY IS USED FOR ALL MODEL TYPES OF ITEM #2 RCU STYLE - TYPE B, BI, C, CI, D, DI, E & EI

ITEM #	QTY.	PART #	DESCRIPTION
1	1	U8000 CONTROLLER	FLIR SYSTEMS, INC. U8000/U8500 HAND CONTROLLER
2	1	U8-7104C	SPECTROLAB STYLE #U8-7104C
3	4	MS16995-10	SHCS - #4-40 x 3/8 LG, 300 SS
4	4	MS35338-135	LOCK WASHER - #4 (.12, .209, .025), 316 SS
5	4	NAS620-C4	WASHER #4 (.115, .209, .029), 18-8 SS
6	1	5000692	BRACKET ASSY FOR "U8" RCU
7	1	U8_HOOK	SUPPLIED BY FLIR SYSTEMS, INC.
8	4	M24693C4	FHMS - #4-40 x .375 LG, SS

**THIRD ANGLE PROJECTION**



UNLESS OTHERWISE SPECIFIED:  $\sqrt{125}$  RMS

**SYMBOLS**



**UNLESS OTHERWISE SPECIFIED:**

1. Break all sharp edges.
  2. Toler (+/-):
 

X	.XX	.XXX	.XXXX
.000	.020	.005	.0005
  3. Interpret dim's per ASME Y14.5M
  4. Standard is INCHES, metric is ( )
- Do **NOT** scale drawing  
 Date: 8/30/2005  
 Drawn By:  
 Checked By: Date:

**UNIVERSAL SEARCHLIGHTS, LLC**

Dynamic Searchlight Systems

9316 H COURT OMAHA, NE 68127  
 PHONE: 1-800-203-6466  
 FAX: 1-800-203-6541  
 www.UniversalSearchlights.com

**PROPRIETARY AND CONFIDENTIAL**  
 The information contained in this drawing is the sole property of Universal Searchlights, LLC. Any reproduction in part or as a whole without written permission is prohibited.

**Title:** SLASS RCU: U8-7104

**Description:** U8000 HAND-HELD ASSY SIDE MOUNT

<b>Size</b>	<b>Dwg #:</b>	<b>Dwg Rev #:</b>
<b>B</b>	U8000-ASSY	<b>A</b>

SHEET 1 OF 1

8 7 6 5 4 3 2 1